



Panasonic's state-of-the-art technology takes the lead in the high-definition video screen market

**DA10-RZ**

**NEW GENERATION  
DIE CAST LED DISPLAY**

**// 16 Bit**

Panasonic's DA10-RZ 10.24mm Outdoor Stack sets the standard for out-door LED Display applications. The DA10-RZ LED delivers vivid color and high-resolution video images with high brightness levels.

Designed with full rental capabilities, the RZ series offers an array of features including light-weight enclosure, highly accessible electronics for rear servicing and proprietary snap lock mechanisms. This allows the DA10-RZ series to be assembled, operated and serviced efficiently - the ideal solution for your rental needs.



**TENTATIVE**

## SPECIAL FEATURES

### 16 Bit processing provide you excellent picture.

- 16 Bit processing
- 32768 Grayscale levels
- 35 Trillion Colors Procession

### Wider LED Color target to improve color reproduction

- Wider color gamut makes HDTV color reproduction more realistic on the LED Screen

### Advanced Color Correction

- Color Coefficient Adjustment enhance color uniformity across the entire LED board on any signal display

### Enhance edge-adaptive

- Advanced Deinterlacer Function with Motion Adaptive Feature smoothen diagonal jagged line. Motion Bleeding act as preventive function to avoid motion value filling too fast at specific pixel position

### Wider Flexible Gamma Correction

- Flexible Gamma Correction setting between 0.5 to 3.0 factor

### High Contrast Ratio

- 4200 : 1 Contrast Ratio (Compare to +/-1500 range commonly found in the market)

### Rental ready with Easy set up and maintenance

- Super Light Weight provide mobility for ease of installation
- DIE CAST design ensure easy maintenance. Rear Access are extremely easy for each and every devices

### PWM (Pulse Width Modulation) LED Driver

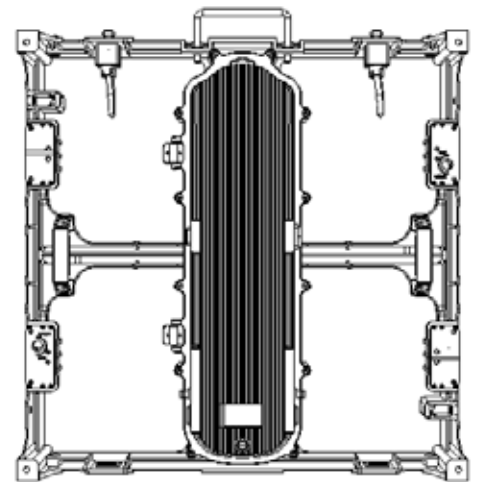
- Maintain uniform color across the modules by using PWM LED Driver to process color reproduction on LED panels and color alignment
- PWM control prevents color shifting

# DA10-RZ

## 16 Bits processing with High performance LED Display

Technical Specification	DA10-RZ
Pixel Pitch	10.24 mm
LED Type	SMD ( RGB)
Brightness	5000 Cd / m <sup>2</sup>
Processing Bit	16 Bits
Gary Level	32768 / Color
Refresh Rate HZ	960
Viewing Angle (H)	140°
Viewing Angle (H)	Up 40 / Down 50
Frame Type	DIE CAST Aluminium
DIE CAST Dimension (W/H/D)	500 mm x 500 mm x 110 mm
Weight	12 Kg
Maintenance	Rear
Operation Temp/RH	-20° - + 50° / 20-90%
IP Rating	IP65 Front / Back
Electrical Supply Voltage / HZ	110 -240 V / 50/60HZ
Max Power Cascade Connection	10
Power Rating/Consumption	380 W / 190 W
Maintenance	Back access
Application	Rental / Legacy Installation
Max Stacking	*12
Max Hanging	12
Lifetime @ 50% Brightness	60000 Hrs

\* Require additional tie back structure



The information and data given are typical for the equipment describe. However any individual items is subject to change without any notice.