

Panasonic's state-of-the-art technology takes the lead in the high-definition video screen market

D8-RZ

**NEW GENERATION
DIE CAST LED DISPLAY**

// 31 Bit

Panasonic's D8-RZ 8mm Outdoor Stack sets the standard for out-door LED Display applications. The D8-RZ LED delivers vivid color and high-resolution video images with high brightness levels.

Designed with full rental capabilities, the RZ series offers an array of features including light-weight enclosure, highly accessible electronics for rear servicing and proprietary snap lock mechanisms. This allows the D8-RZ series to be assembled, operated and serviced efficiently - the ideal solution for your rental needs.



SPECIAL FEATURES

31 Bit processing provide you excellent picture.

- 15 Bit Color Correction
- 16 Bit for Display Data and Grayscale
- 32768 Greyscale levels
- 35 Trillion Colors Procession

Wider LED Color target to improve color reproduction

- Wider color gamut makes HDTV color reproduction more realistic on the LED Screen

Advanced Color Correction

- Color Coefficient Adjustment enhance color uniformity across the entire LED board on any signal display

Enhance edge-adaptive

- Advanced Deinterlacer Function with Motion Adaptive Feature smoothen diagonal jagged line. Motion Bleeding act as preventive function to avoid motion value filling too fast at specific pixel position

Wider Flexible Gamma Correction

- Flexible Gamma Correction setting between 0.5 to 2.9 factor

High Contrast Ratio

- 4200 : 1 Contrast Ratio (Compare to +/-1500 range commonly found in the market)

Rental ready with Easy set up and maintenance

- Super Light Weight provide mobility for ease of installation
- DIE CAST design ensure easy maintenance. Rear Access are extremely easy for each and every devices

PWM (Pulse Width Modulation) LED Driver

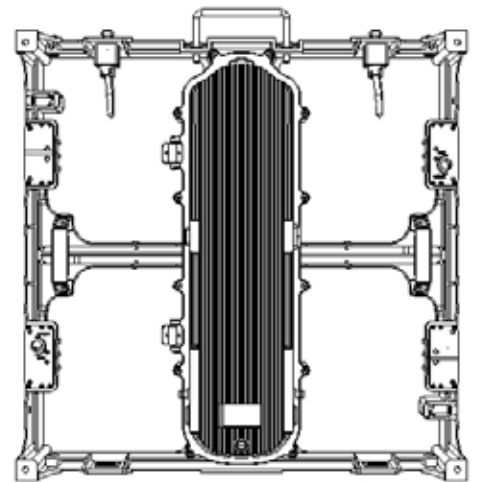
- Maintain uniform color across the modules by using PWM LED Driver to process color reproduction on LED panels and color alignment
- PWM control prevents color shifting

D8-RZ

31 Bits processing with High performance LED Display

Technical Specification	D8-RZ
Pixel Pitch	8 mm
LED Type	SMD (RGB)
Brightness	5000 Cd / m ²
Processing Bit	31 Bits
Gary Level	32768 / Color
Refresh Rate HZ	960
Viewing Angle (H)	140°
Viewing Angle (V)	Up 40 / Down 50
Frame Type	DIE CAST Aluminium
DIE CAST Dimension (W/H/D)	640 mm x 640 mm x 110 mm
Weight	18 Kg
Maintenance	Rear
Operation Temp/RH	-20° - + 50° / 20-90%
IP Rating	IP65 Front / Back
Electrical Supply Voltage / HZ	110 -240 V / 50/60HZ
Max Power Cascade Connection	6
Power Rating/Consumption	384 W / 192 W
Maintenance	Back access
Application	Rental / Legacy Installation
Max Stacking	*12
Max Hanging	12
Lifetime @ 50% Brightness	60000 Hrs

* Require additional tie back structure



The information and data given are typical for the equipment describe. However any individual items is subject to change without any notice.